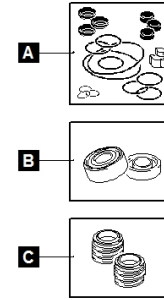
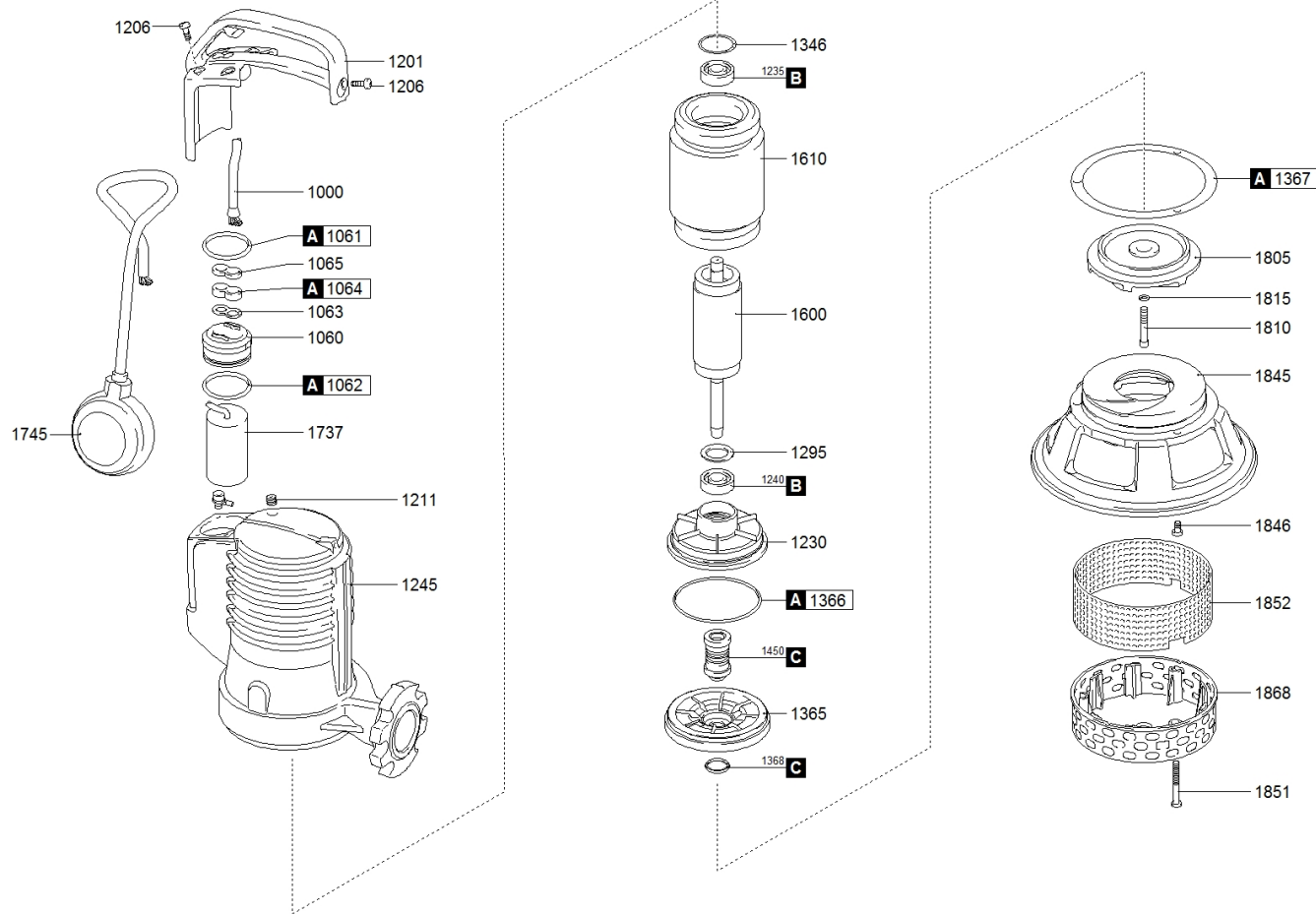


1114.008 - APBLUEP 200/2/G40H A1CM5 NGTGB51U23NW0CX





water solutions



1114.008 - APBLUEP 200/2/G40H A1CM5 NGTGB51U23NW0CX

		Code	Description		Q.ty	Price (€)
A		601008001	GASKETS KIT	801156	1	
C		602008051	MECHANICAL SEALS KIT	711038	1	
1000		250102304010200000	POWER CABLE		1	
1060		239768026156	HOLDER [CABLE GLAND]	805885	1	
1061		271770412835300000	UPPER GASKET - HOLDER [CABLE GLAND]	711030	1	
1062		271770040952620000	LOWER GASKET - HOLDER [CABLE GLAND]		1	
1063		235467024279	CABLE STOP		1	
1063		2732001100000	CABLE STOP		1	
1064		235678024236	RUBBER GASKET	711017	1	
1065		235467024241	CABLE GLAND	805884	1	
1201		235361024325	CABLE GLAND HANDLE	804984	1	
1206		270830510140400000	SCREW [CABLE GLAND HANDLE >> COVER]		5	
1211		270139510104000000	CAP [TIGHTNESS TEST]	802099	1	
1230		230556323604	LOWER BEARING HOLDER		1	
1235		2729062030200000	UPPER BEARING	711360 OR 802083	1	
1240		2729063050400000	LOWER BEARING	710969	1	
1245		231016324969	MOTOR CASE		1	
1295		270220250352000000	UPPER DISTANCE RING [LOWER BEARING]	802311	1	
1346		27542039100000	WAVE SPRING	802283	1	
1365		2391120025023609	MECHANICAL SEAL FLANGE		1	
1366		271770107035000000	GASKET [LOWER BEARING HOLDER >> MECHANICAL SEAL FLANGE]		1	
1367		2750914423934	GASKET [MECHANICAL SEAL FLANGE >> BASE]		5	
1368		237970160220600000	V-RING [MECHANICAL SEAL FLANGE]		1	
1450		230005040180000000	MECHANICAL SEAL	802308	1	
1600		230233612023760	SHAFT WITH ROTOR		1	
1610		231101201001000000	WOUND STATOR	711046 OR 802368	1	
1737		2517028100000	CAPACITOR	711022	1	
1745		254500405100001	FLOAT SWITCH		1	
1805		21411501000523671	IMPELLER		1	
1810		270830610303200000	LOCKING IMPELLER		1	
1845		2145114423913	BASE	805538	1	
1846		270830610203200000	SCREW [BASE >> MOTOR CASE]		3	
1851		270830510450400000	SCREW [STRAINER >> SUCTION FLANGE]		3	
1868		216563623890	CLOSED STRAINER	711284	1	

